

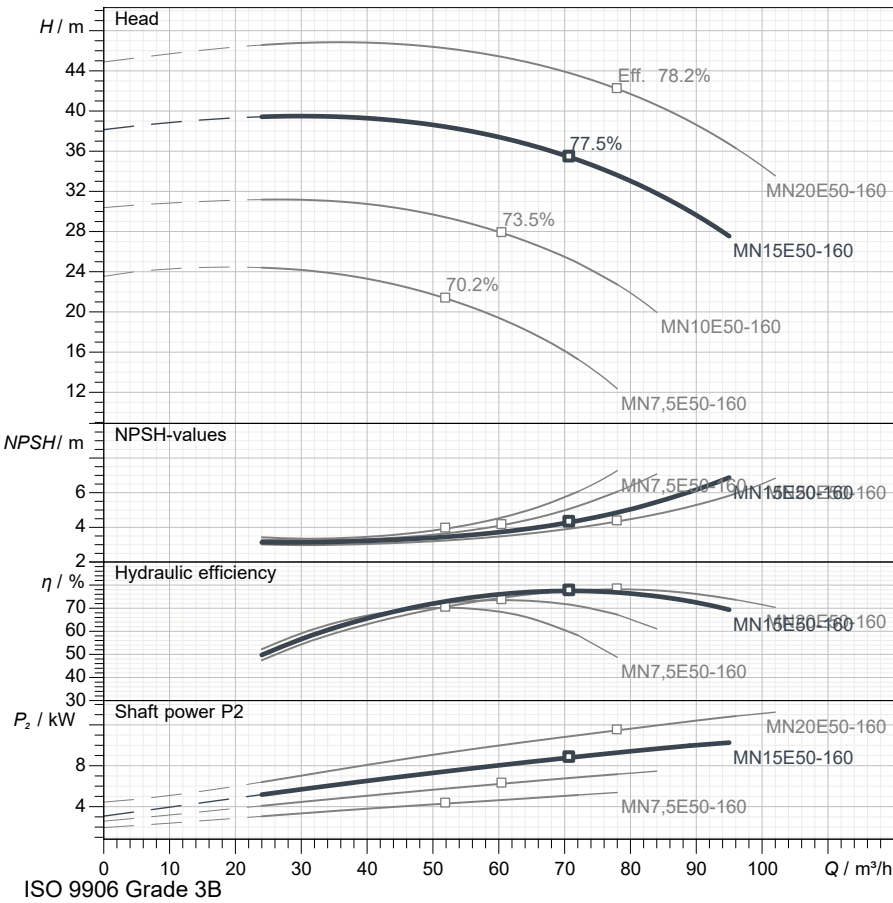
Product description

MN15E50-160-2P-50-TB-SS

Pos.no	Description	Item no	Qty.	UP / €	TP / €
1				Price on req.	Price on req.
2	Close-coupled electric pump according to EN 733 (DIN 24255)				
3	Centrifugal pump: MN15E50-160-2P-50-TB-SS		1	Price on req.	Price on req.
4	<p>Pump bodies Close-coupled electric pumps in compliance with EN 733 - DIN 24255 standards coupled to IEC sandard electric motors through rigid coupling.</p> <p>Duty point Flow : 40 m³/h / Head : 20 m</p> <p>Pump operating data Impeller diameter : 165 mm / Speed : 2900 1/min Flow : 55.18 m³/h / Head : 38.06 m Shaft power P2 : 7.687 kW / Efficiency : 74.37 % Head (Q = 0) : 38.15 m</p> <p>Pump body : Cast iron Impeller : Stainless steel Wear ring : Cast iron Support : Cast iron Coupling : Cast iron Shaft : Stainless steel</p> <p>Max. solid contents : 40 g/m³ Max. water temperature : 90 °C Max. running time with Q=0 : 2 min</p>				
5	Motor: IEC 15 - 2		1		
6	<p>Electric motor Three-phase IE3 asynchronous squirrel cage motor.</p> <p>Casing : Cast iron</p> <p>Protection : IP 55 Insulation class : F Number of startings : max 10 Max environment temperature : 40 °C Max altimetric level : 1000 m Weight : 116 kg</p> <p>Frequency : 50 Hz N. poles : 2 P2 : 11 kW U : 400 V In 1/1 : 19.3 A EFF : 91.2 % CosPhi : 0.9</p>				
7	Shaft seal: Gland packing		1		
8	<p>Twiner system® : Stainless steel Stuffing-box packing : Synthetic fibers Shaft protection bushing : Chromed stainless steel</p>				

Technical data

MN15E50-160-2P-50-TB-SS



Operating data specification	
Capacity	40 m³/h
Head	20 m
Fluid	Pure water
Type of installation	<Single head pump>

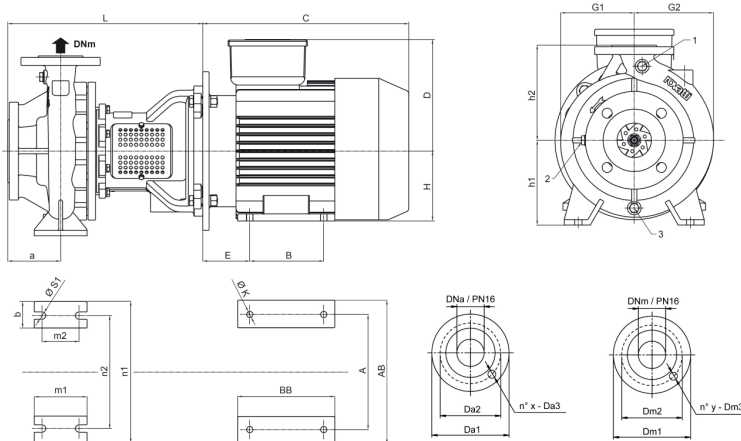
Pump operating data	
Design	MN15E50-160-2P-50-TB-SS
Impeller Ø	165 mm
Speed	2900 1/min
Flow	55.2 m³/h
Head	38.1 m
Shaft power P2	7.69 kW
Efficiency	74.4 %
Head (Q=0)	38.2 m
Non return valve loss	

Electric motor technical data	
Design	IEC 15 - 2
Rated power	11 kW
Frequency	50 Hz
Number of poles	2
Nominal speed	2900 1/min
Rated voltage	3~ 400 V
Starting mode	Direct starting
Rated current	19.3 A
Insulation class	F
Degree of protection	IP 55

Use limits	
Max N° startings/hour	10
Max. running time with Q=0	2 min
Max. solids contents	40 g/m³
Max. pumped liquid temperature	90 °C
Maximum density	998 kg/m³
Maximum viscosity	1 mm²/s

Materials	
Pump body	Cast iron
Impeller	Stainless steel
Wear ring	Cast iron
Support	Cast iron
Coupling	Cast iron
Shaft	Stainless steel

Shaft seal	
Twinner system®	Stainless steel
Stuffing-box packing	Synthetic fibers
Shaft protection bushing	Chromed stainless steel

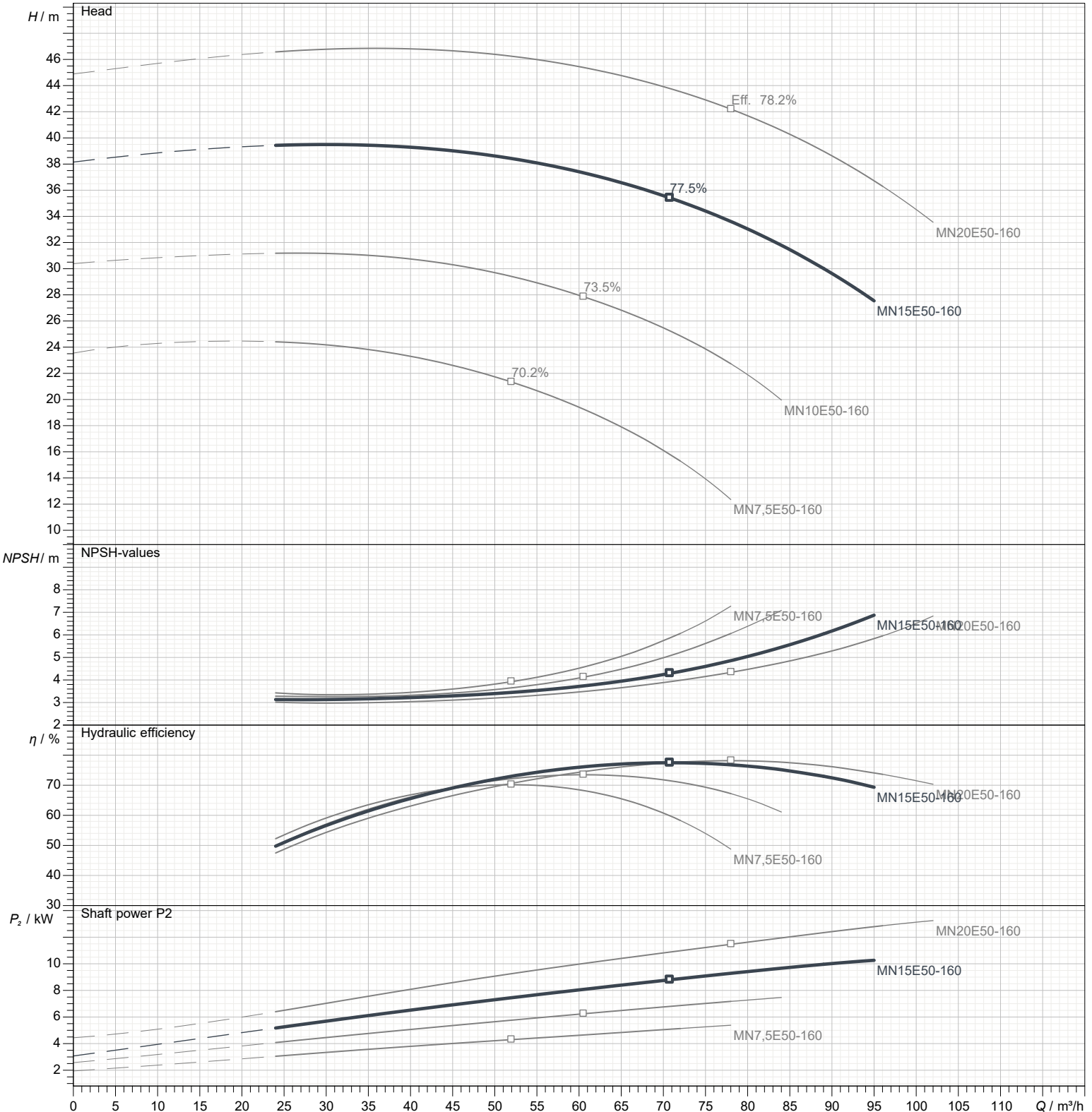


Dimensions in mm				Total weight 162 kg			
a	100	Da1	185	E	108	m1	100
A	254	Da2	145	G1	128	m2	70
AB	315	Da3	18	G2	143	n1	265
b	50	Dm1	165	H	160	n2	212
B	210	Dm2	125	h1	160	s1	14
BB	260	Dm3	18	h2	180	x	4
C	510	DNa	65	K	15	y	4
D	250	DNrr	50	L	407		

Performance curves

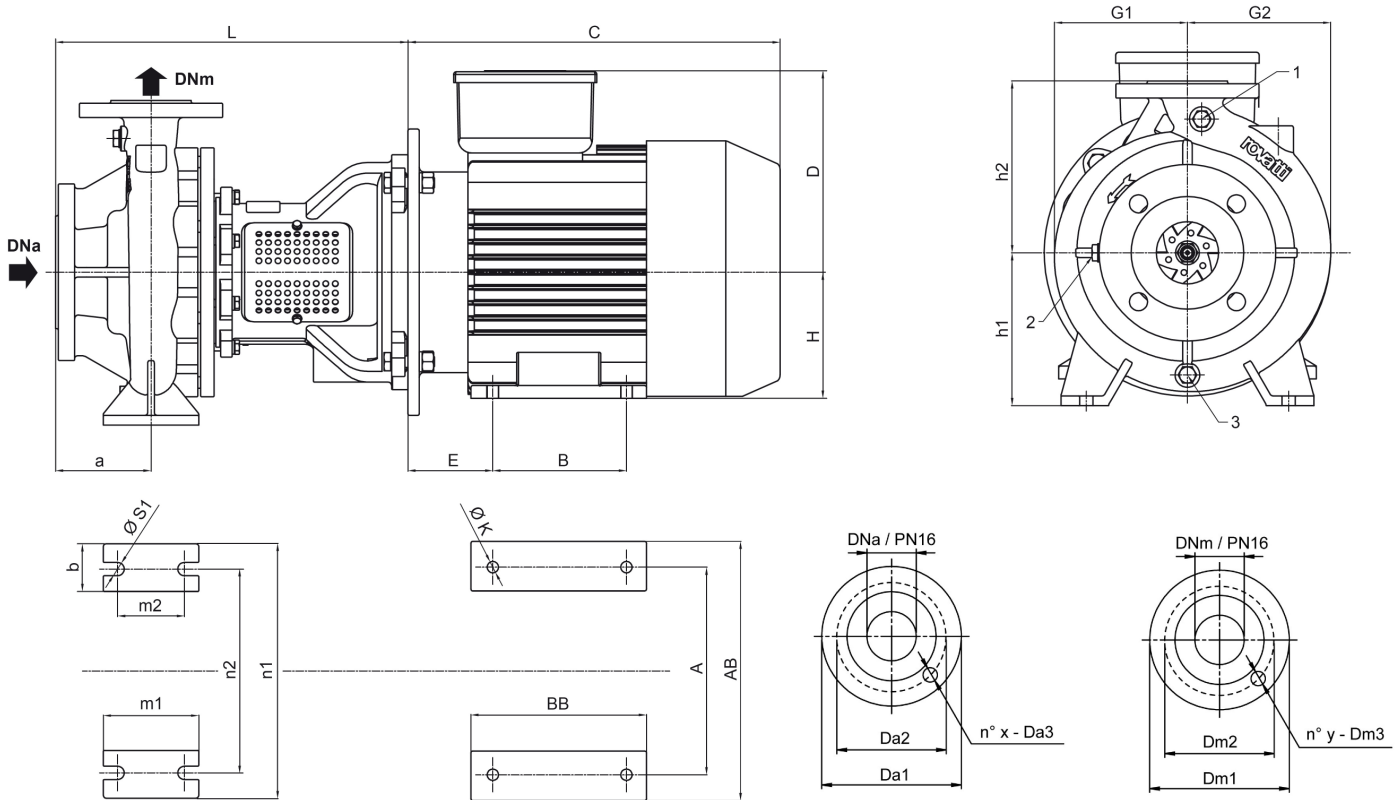
MN15E50-160-2P-50-TB-SS

Performances				
Speed		2900 1/min	Density	998 kg/m ³
Flow	Min.	24 m ³ /h	Viscosity	1 mm ² /s
	Max.	89 m ³ /h		
Efficiency	Max.	70.8 m ³ /h	Temperature	20 °C
		70.8 m ³ /h	Tolerances	ISO 9906 Grade 3B



Types of installation

MN15E50-160-2P-50-TB-SS



Total weight		162 kg		Dimensions in mm	
a	100	h2	180		
A	254	K	15		
AB	315	L	407		
b	50	m1	100		
B	210	m2	70		
BB	260	n1	265		
C	510	n2	212		
D	250	s1	14		
Da1	185	x	4		
Da2	145	y	4		
Da3	18				
Dm1	165				
Dm2	125				
Dm3	18				
DNa	65				
DNm	50				
E	108				
G1	128				
G2	143				
H	160				
h1	160				